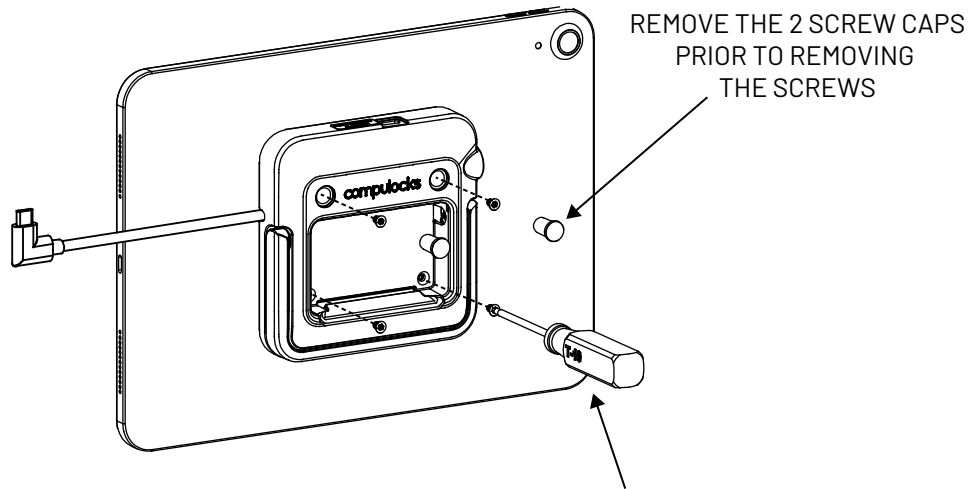
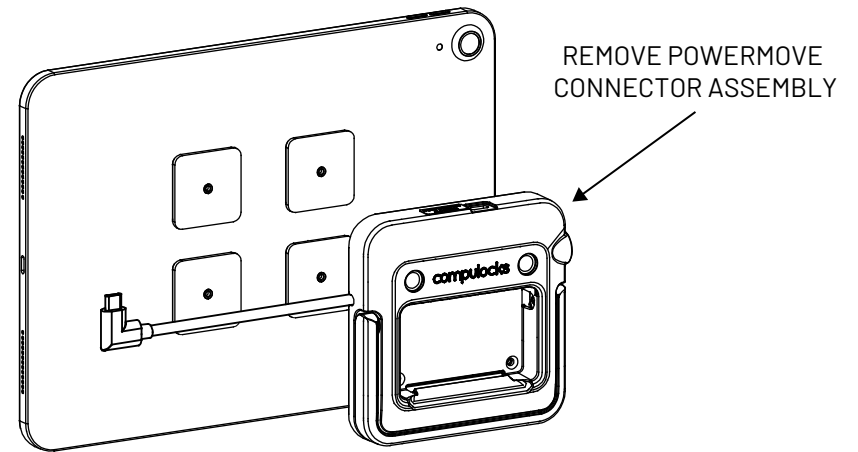


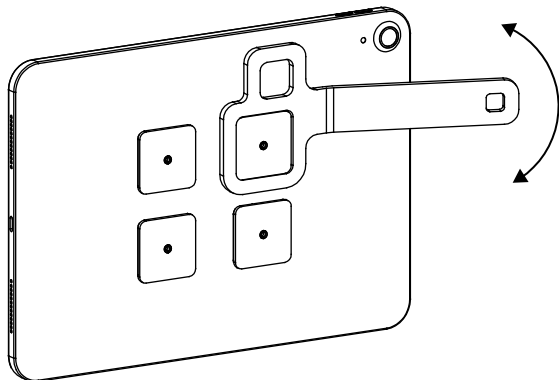
1



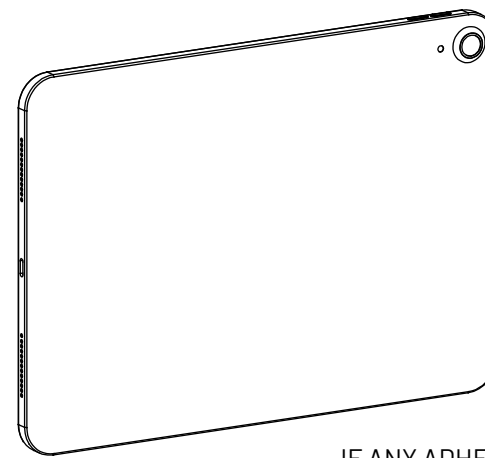
2



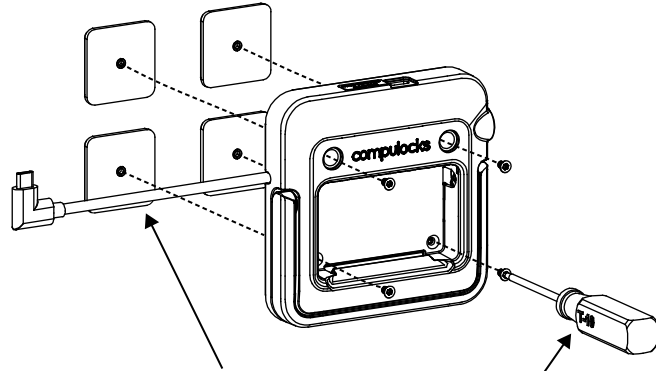
3



4

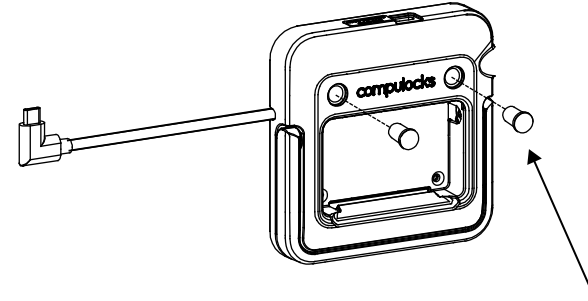


5



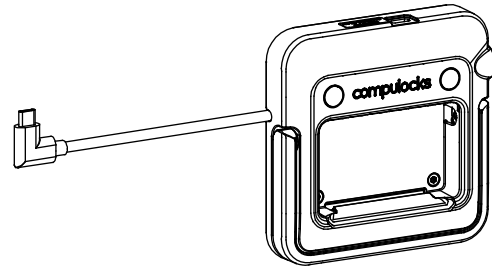
INSTALL 4 REPLACEMENT PADS
USING 4 M3 x 5mm TORX FLAT HEAD SCREWS
USING T-10 SCREWDRIVER (SENT WITH ORIGINAL POWERMOVE)

6



INSTALL THE 2 SCREW CAPS

7

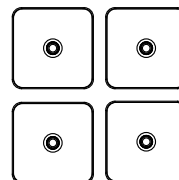


POWERMOVE CONNECTOR ASSEMBLY
IS READY FOR INSTALLATION. FOLLOW POWERMOVE
CONNECTOR ASSEMBLY INSTRUCTIONS

IN THE BOX



M3 X 5mm Torx Flat Head Screws



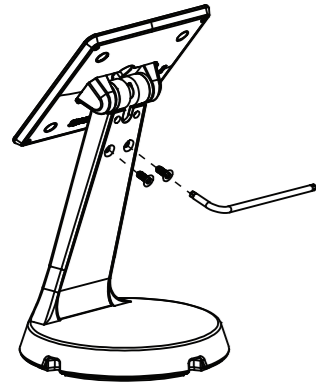
Pads



Alcohol Wipes

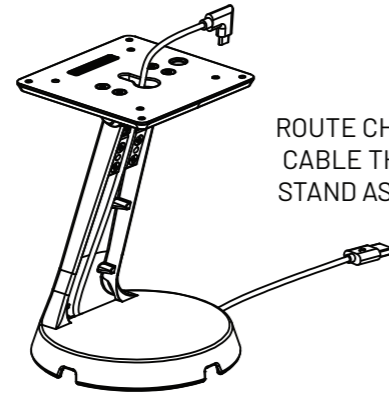
Through Stand Cable Assembly

1



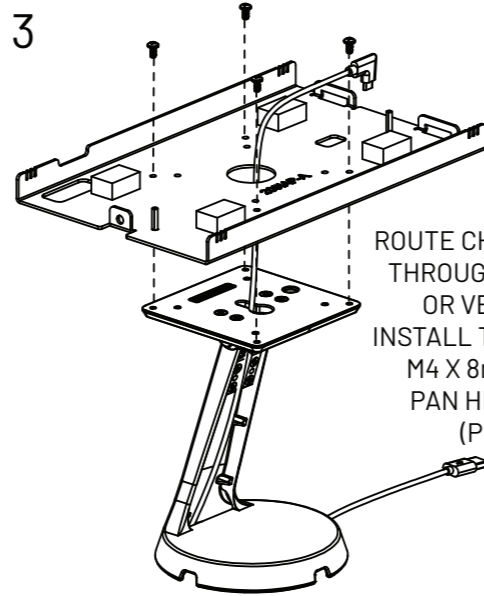
REMOVE FRONT COVER.
USE T-20 TORX
WRENCH (PROVIDED)
TO REMOVE M4 X 10mm
TORX FLAT HEAD SCREWS

2



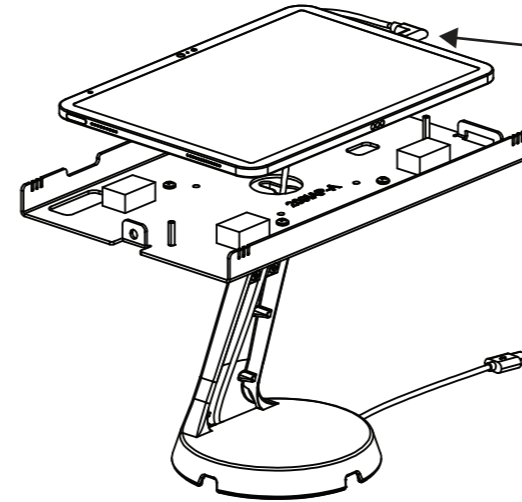
ROUTE CHARGING
CABLE THROUGH
STAND AS SHOWN

3



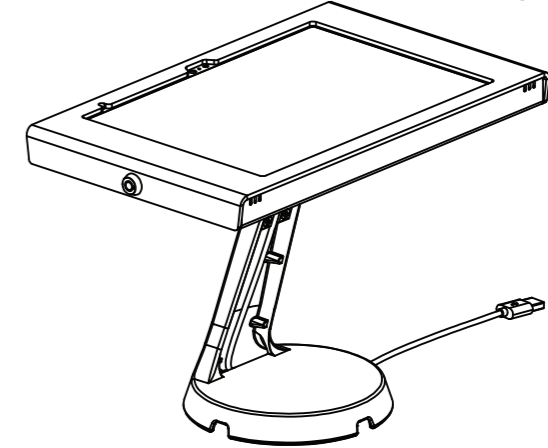
ROUTE CHARGING CABLE
THROUGH ENCLOSURE
OR VESA MOUNT.
INSTALL TO STAND USING
M4 X 8mm PHILLIPS
PAN HEAD SCREWS
(PROVIDED)

4



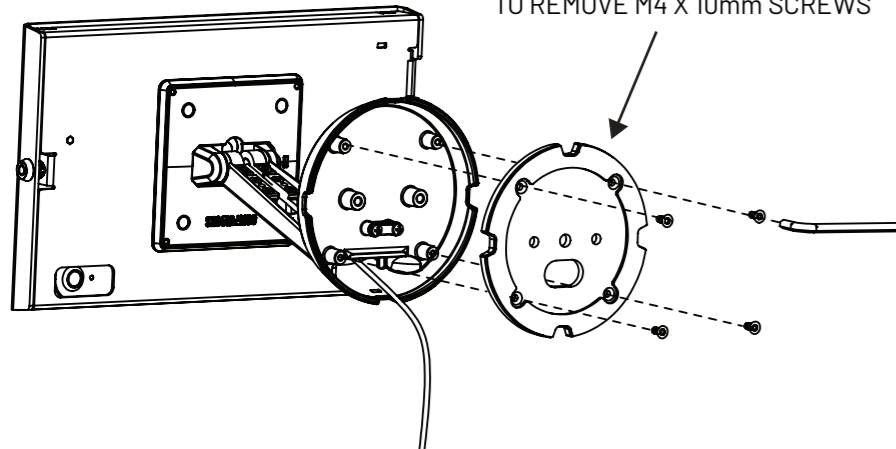
ATTACH CHARGING CABLE
TO TABLET, LEAVE A SMALL LOOP
OF CABLE BENEATH THE TABLET

5



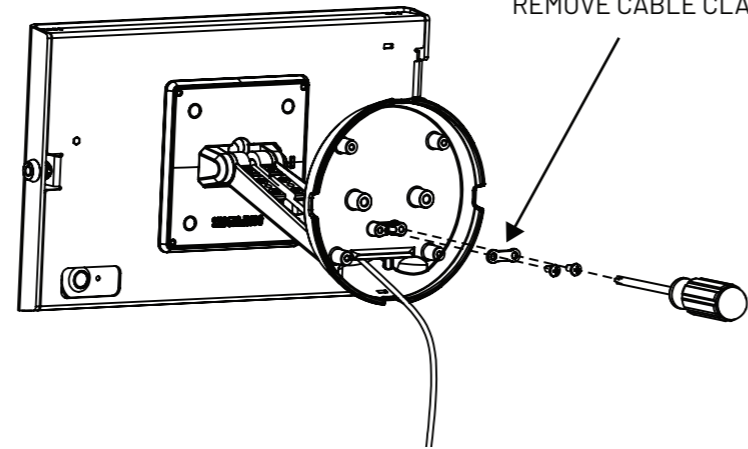
INSTALL THE REST OF THE ENCLOSURE
OR VESA MOUNT
PER THEIR INSTRUCTIONS

6



REMOVE BOTTOM PLATE.
USE T-20 TORX WRENCH (PROVIDED)
TO REMOVE M4 X 10mm SCREWS

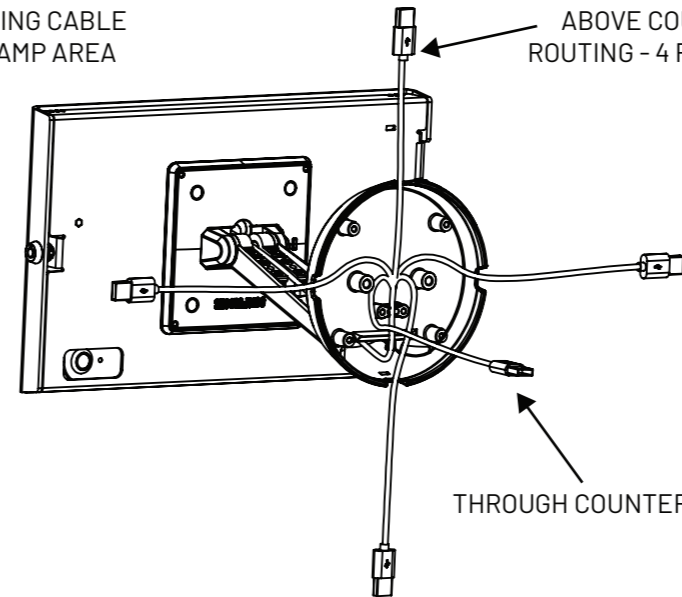
7



REMOVE CABLE CLAMP

8

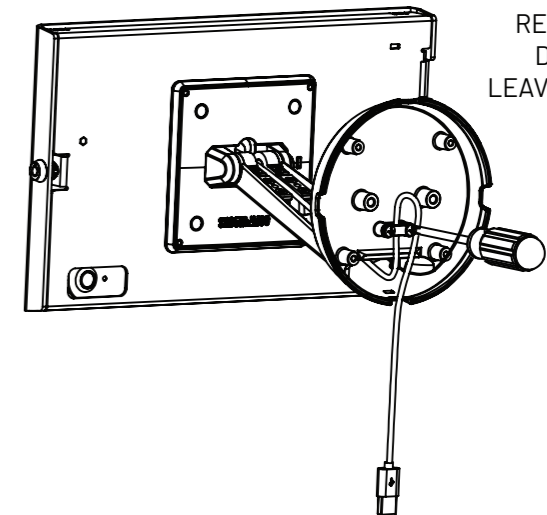
ROUTE CHARGING CABLE
THROUGH CLAMP AREA



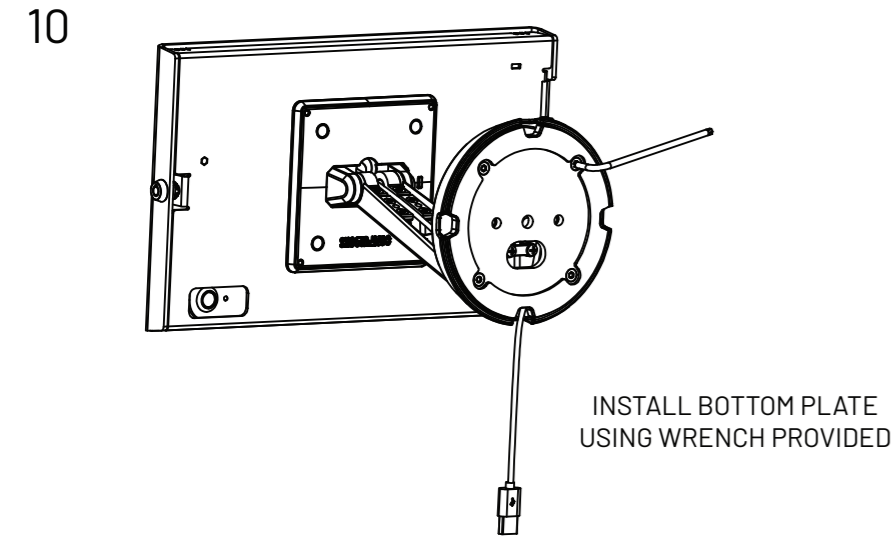
ABOVE COUNTER
ROUTING - 4 POSITIONS

THROUGH COUNTER ROUTING

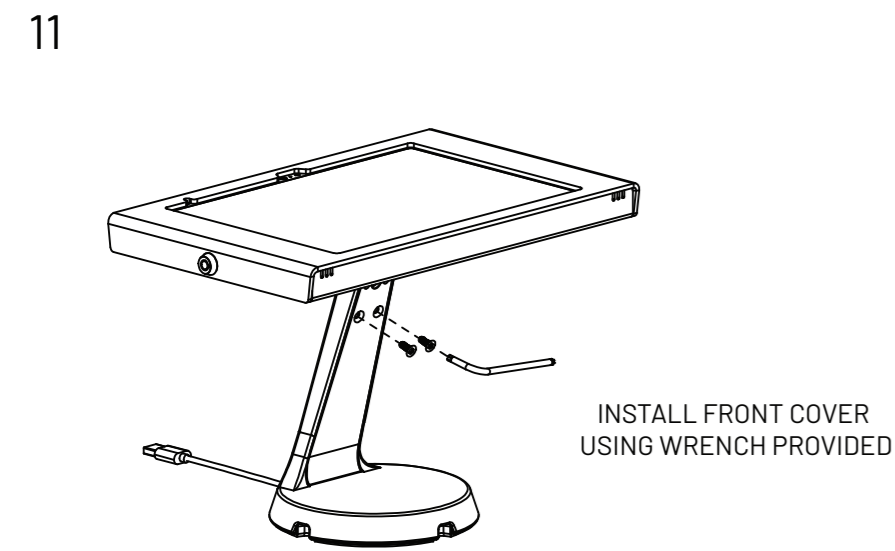
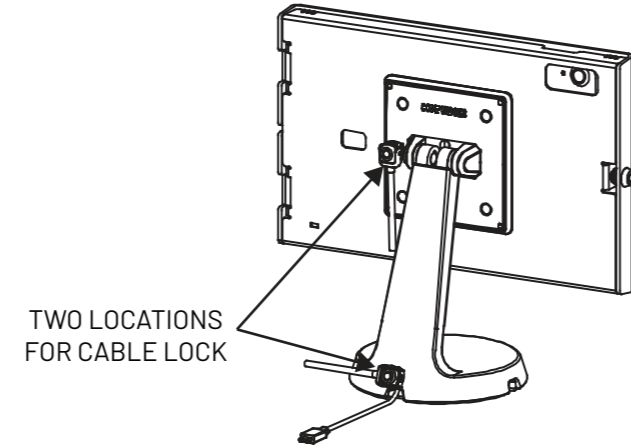
9



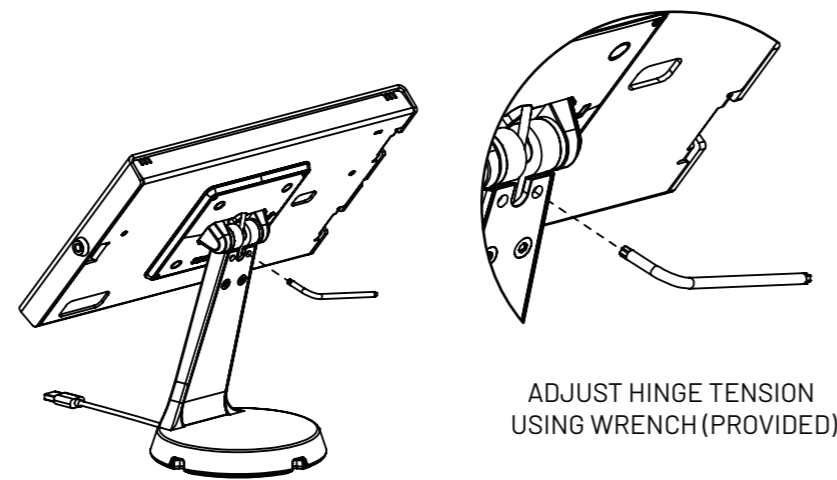
REINSTALL CABLE CLAMP
DO NOT OVER TIGHTEN
LEAVE SLACK IN POWER CORD
BELOW CLAMP



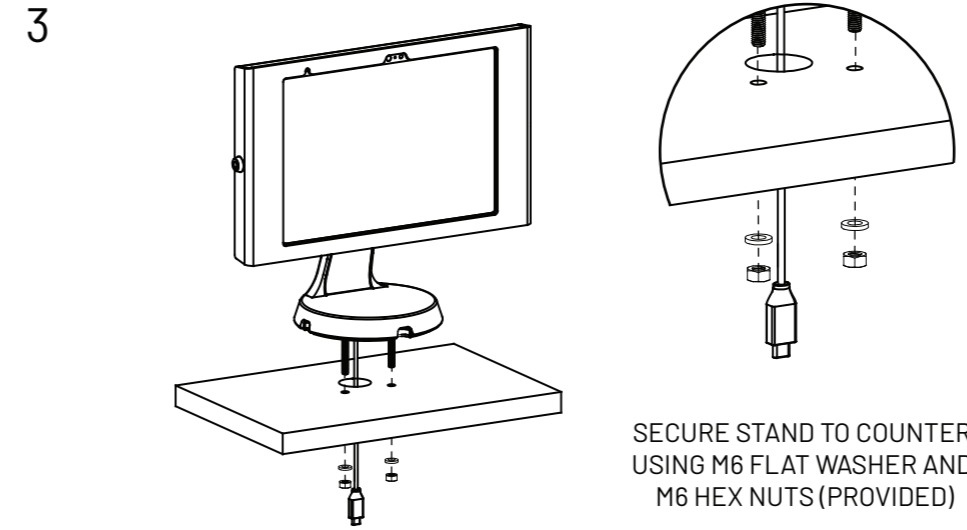
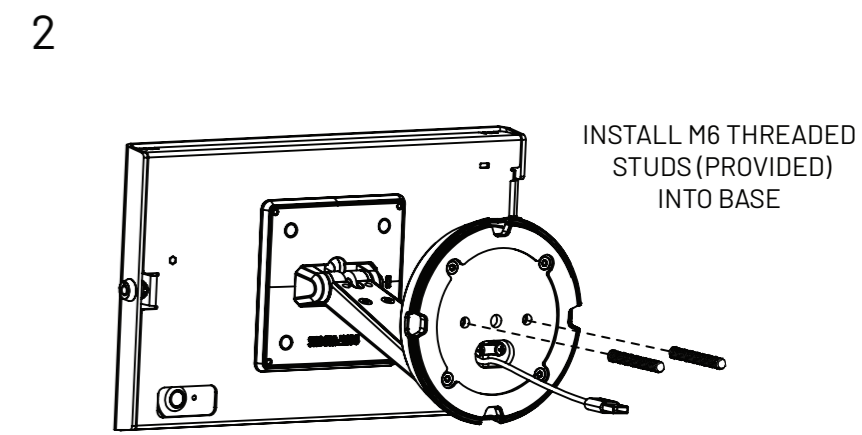
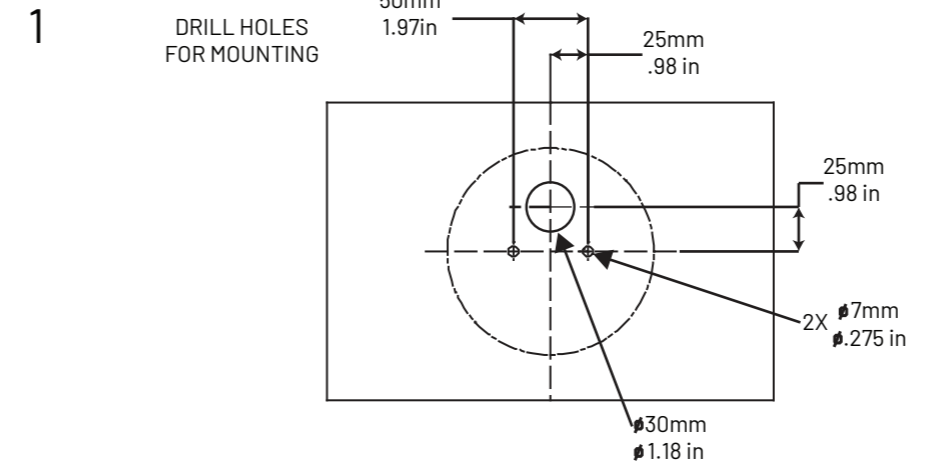
Securing Stand Using Cable Lock



Tilt Tension Adjustment



Secure Counter Mounting



75mm VESA Mounting

