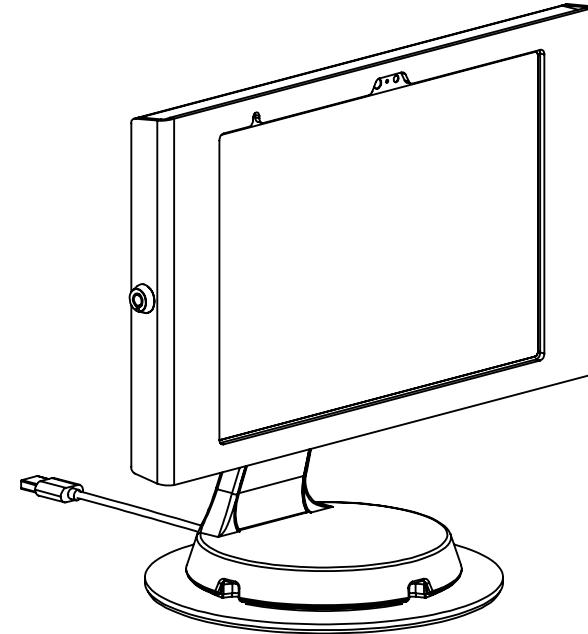
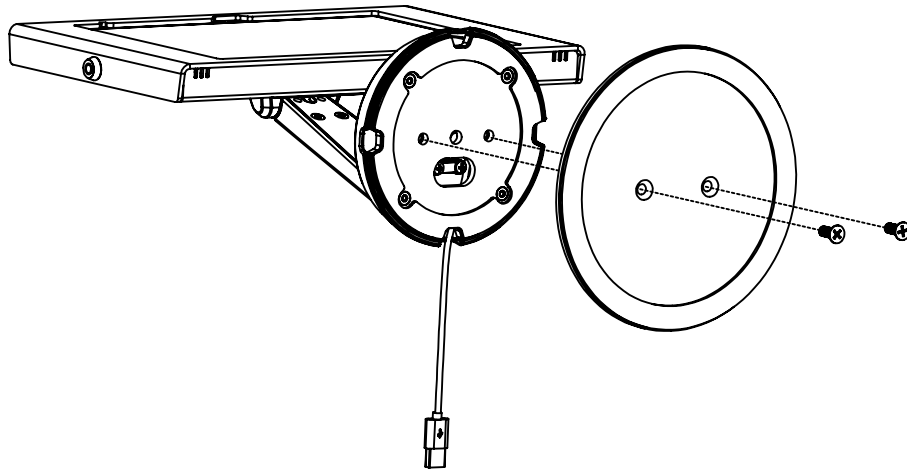


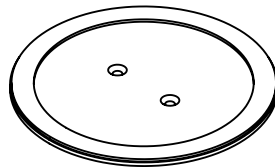
1

2

INSTALL STABILITY BASE
USING SCREWS PROVIDED



IN THE BOX



Stability Base



M6X16mm
Flat head screw