

# Space

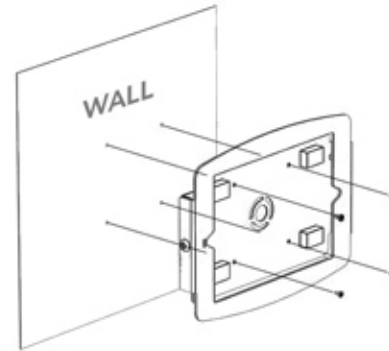
## Assembly Instructions

1

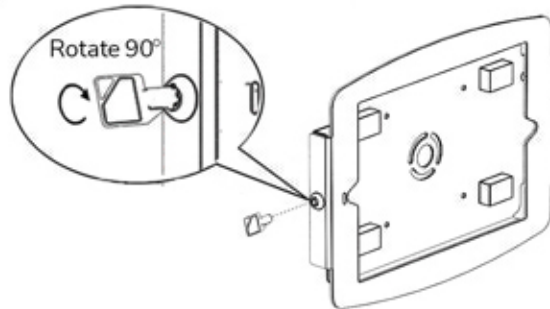


FOLLOW STAND  
MOUNTING INSTRUCTIONS

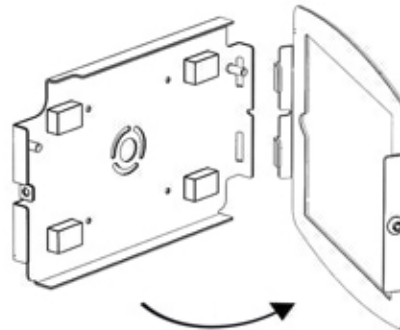
or



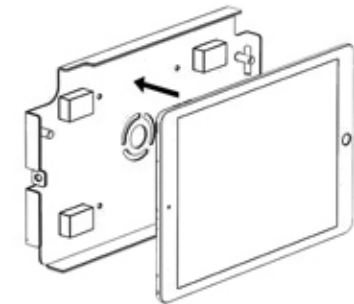
2



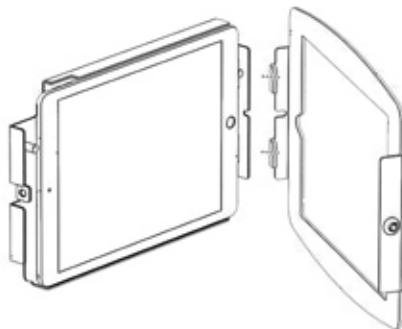
3



4



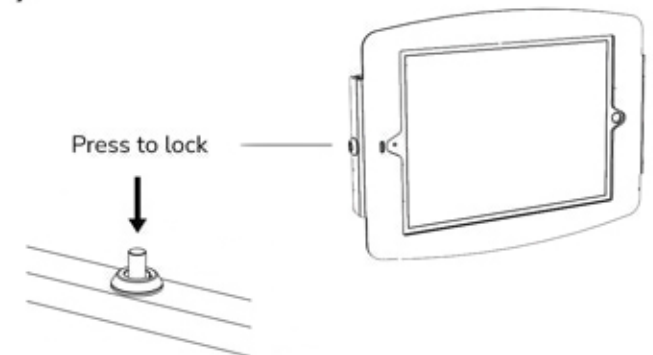
5



6



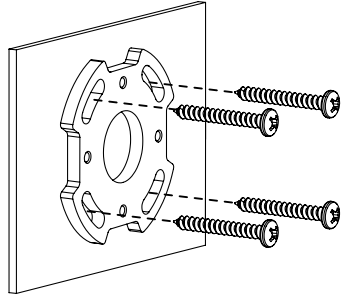
7



## Through Stand Cable Assembly

1

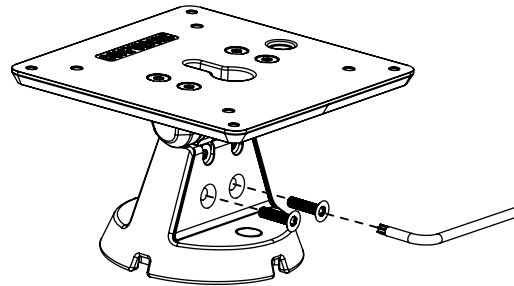
SCREW THE BOTTOM PLATE TO THE WALL / COUNTER WITH PHILLIPS ROUND HEAD SCREWS - TYPE 10 X 1½" (PROVIDED).



NOTE: IN A WOOD STUD INSTALLATION ENSURE AT LEAST TWO VERTICALLY ALIGNED SCREWS ARE SECURED INTO THE STUD.

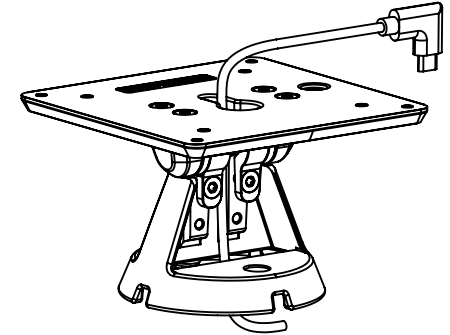
2

REMOVE FRONT COVER. USE T-20 TORX WRENCH (PROVIDED) TO REMOVE M4 X 10mm TORX FLAT HEAD SCREWS



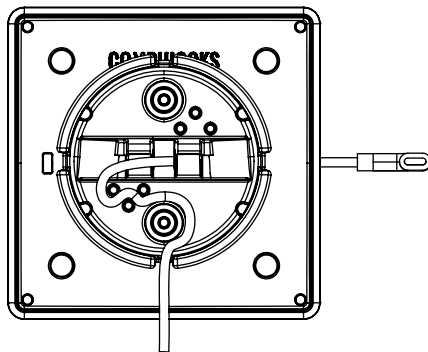
3

ROUTE CHARGING CABLE THROUGH MOUNT AS SHOWN



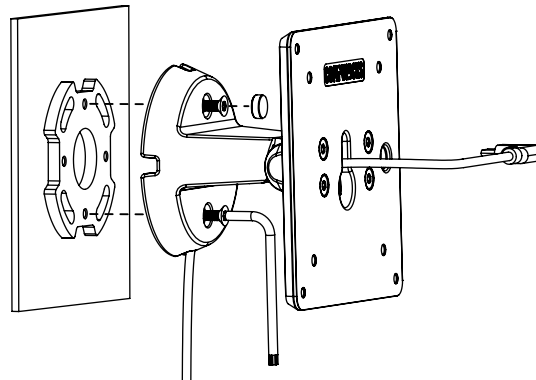
4

ROUTE CHARGING CABLE THROUGH MOUNT AS SHOWN



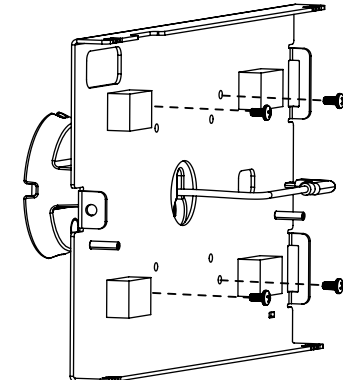
5

PLACE BOW MOUNT OVER BOTTOM PLATE AND INSTALL USING 2 M4 X 10mm TORX FLAT HEAD SCREWS AND WRENCH (PROVIDED). INSTALL RUBBER PLUGS.

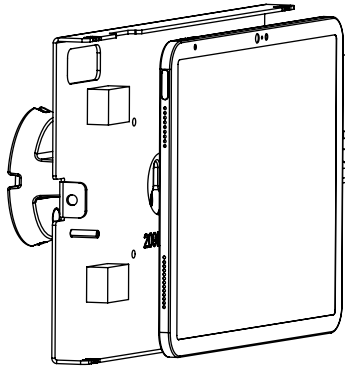


6

ROUTE CHARGING CABLE THROUGH ENCLOSURE OR VESA MOUNT. INSTALL TO MOUNT USING M4 X 8mm PHILLIPS PAN HEAD SCREWS (PROVIDED)

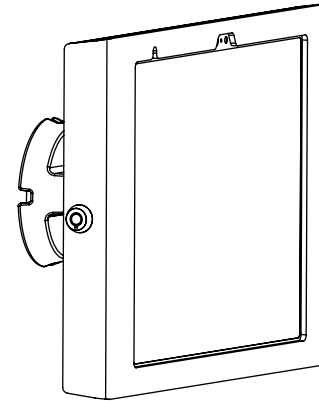


7



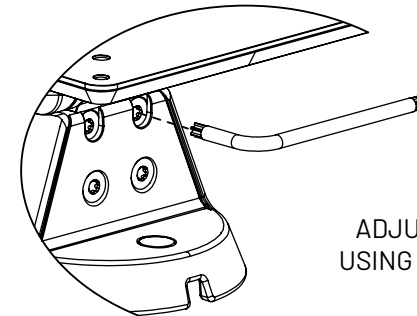
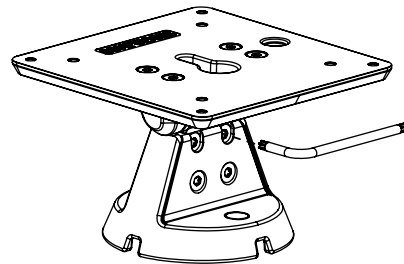
ATTACH CHARGING CABLE TO TABLET, LEAVE A SMALL LOOP OF CABLE BENEATH THE TABLET

8



INSTALL THE REST OF THE ENCLOSURE OR VESA MOUNT PER THEIR INSTRUCTIONS

**Tilt Tension Adjustments**



ADJUST HINGE TENSION USING WRENCH (PROVIDED)

IN THE BOX



Bow Mount



Bottom Plate



Rubber Plugs



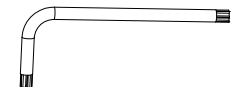
10 X 1 1/2" Phillips Round Head Screw



M4 X 10mm Torx Flat Head Screw



M4 X 8mm Phillips Pan Head Screw



T20 TORX L-Wrench