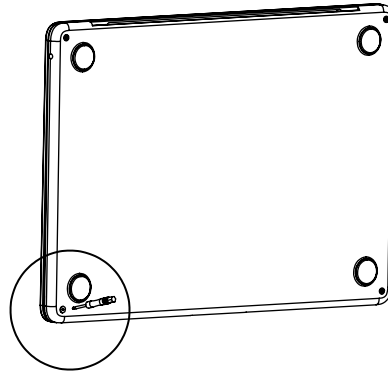
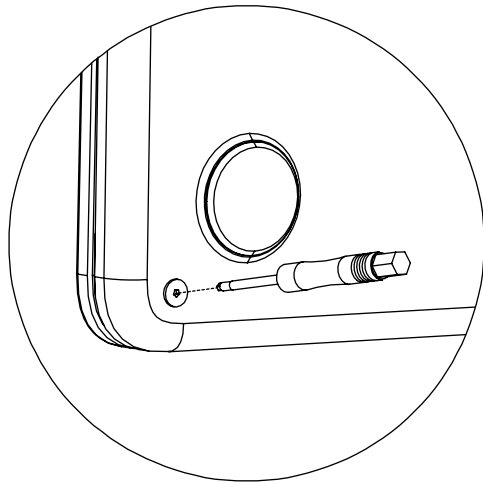


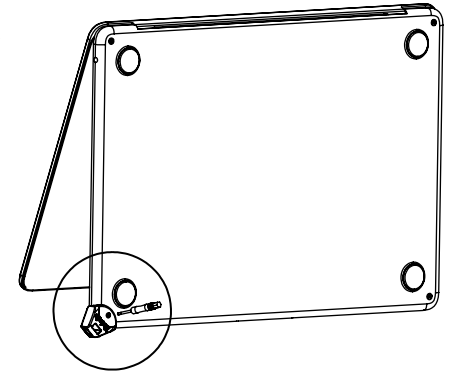
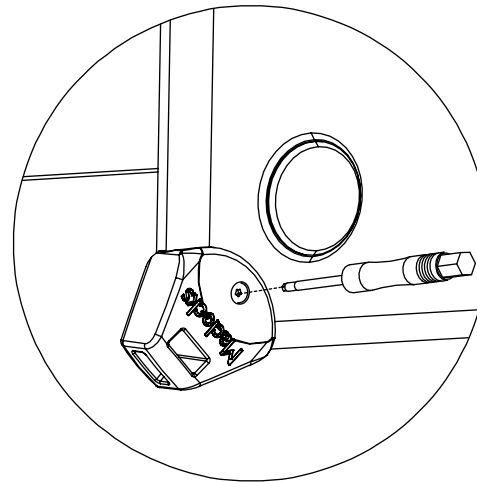
1

REMOVE SCREW ON THE CORNER OF THE LAPTOP USING SCREWDRIVER PROVIDED

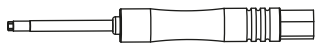


2

INSTALL LEDGE WHILE THE LAPTOP'S LID IS OPEN WITH THE SCREW PROVIDED



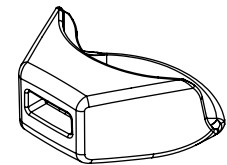
IN THE BOX



Screwdriver



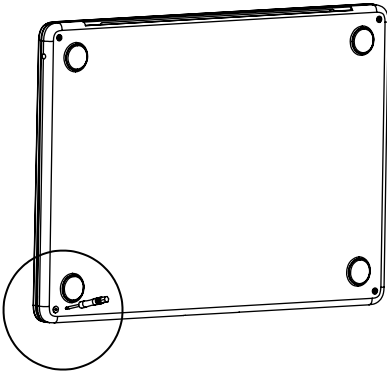
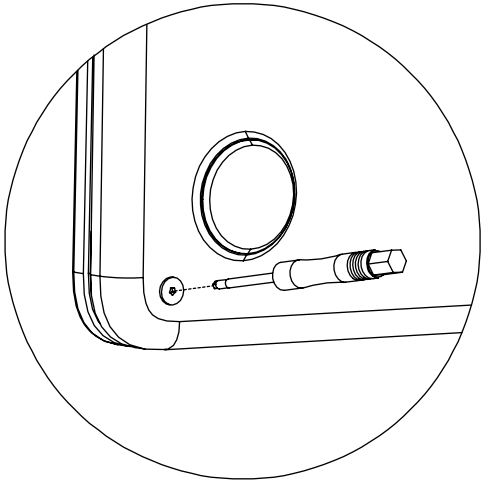
Attachment Screws
(Only one screw is required)



Ledge

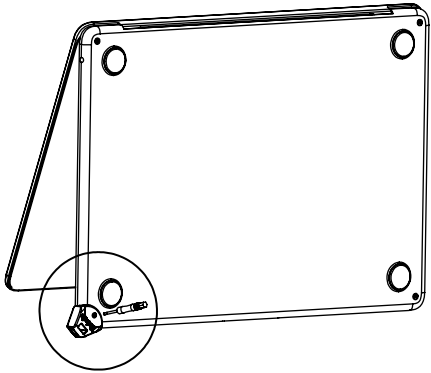
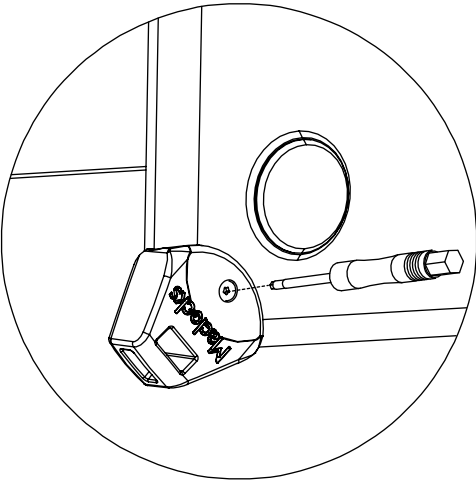
1

REMOVE SCREW ON THE CORNER OF THE LAPTOP USING SCREWDRIVER PROVIDED

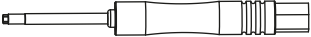


2

INSTALL LEDGE WHILE THE LAPTOP'S LID IS OPEN WITH THE SCREW PROVIDED



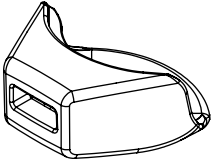
IN THE BOX



Screwdriver



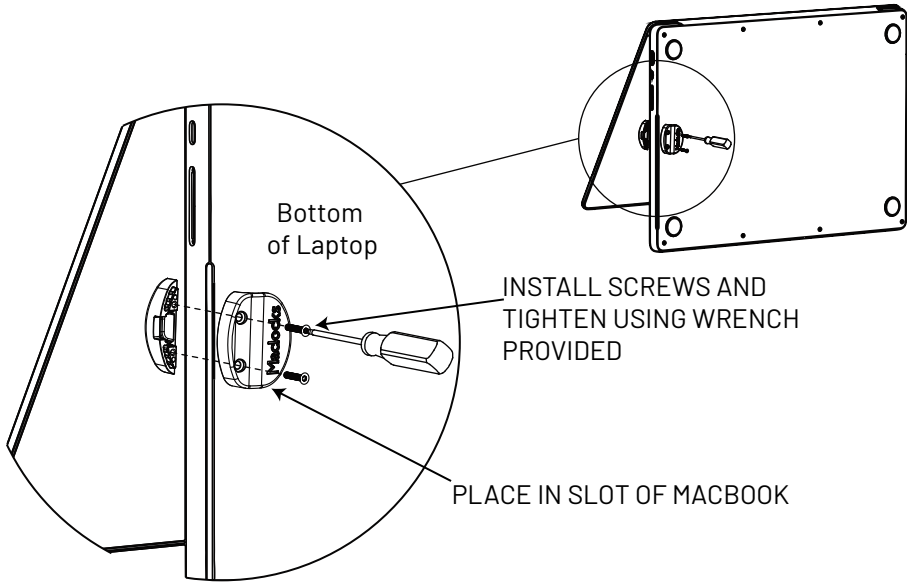
Attachment Screws
(Only one screw is required)



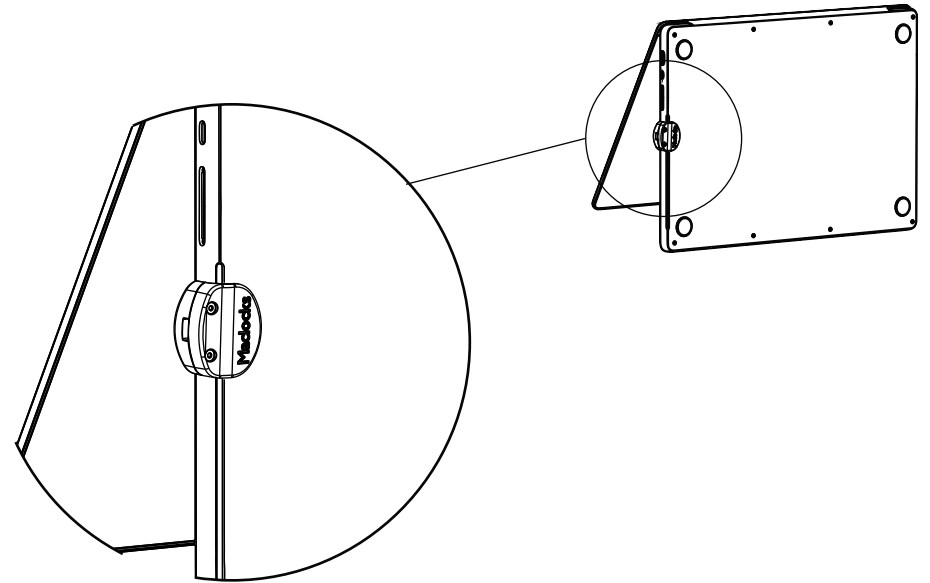
Ledge

Assembly Instructions

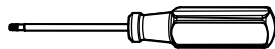
1



2



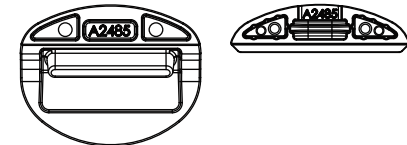
IN THE BOX



Torx driver T-7



Attachment Screws
(Only two screws are required)

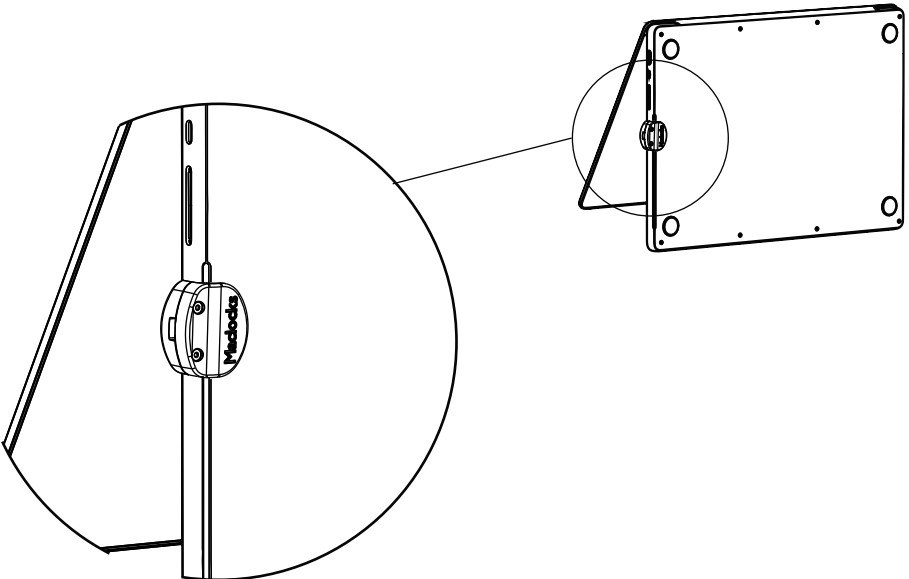
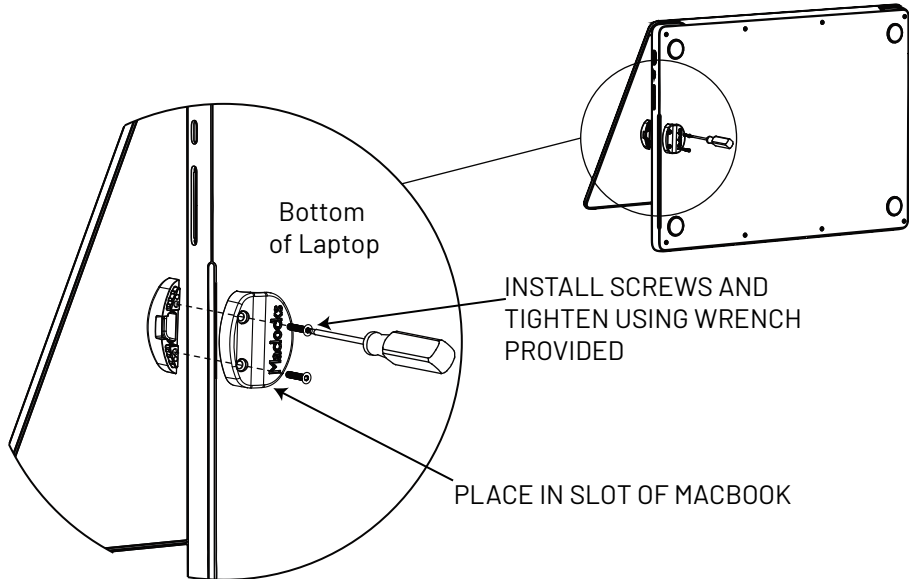


Ledge two parts

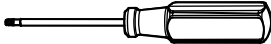
Assembly Instructions

1

2



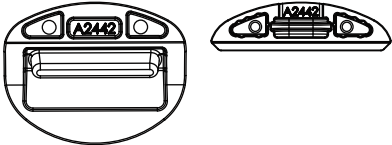
IN THE BOX



Torx driver T-7



Attachment Screws
(Only two screws are required)



Ledge two parts